

Item number: **MSS.01.971.10000**

Revision: **00** · Date: **06 - 2023**

Front spoiler

 ~ 1 h.

EASY      DIFFICULT

ENGLISH Thank you for choosing this premium product from SW-MOTECH. Visit our online shop for more information (e.g. model assignments). Required documents (e.g. national type approval) are available there for you to download.

Please read and understand all the instructions, safety information and warnings in these mounting instructions before mounting and using the product in order to avoid injury and damage. Keep these mounting instructions for reference.

This product was developed for vehicles in factory condition. Compatibility with original accessories or accessories from other manufacturers cannot be guaranteed.

These mounting instructions have been prepared to the best of our current knowledge. No legal claims relating to accuracy can be made. Errors and omissions excepted. We reserve the right to make technical and design changes. The copyright is held by SW-MOTECH.

SAFETY WARNING SYMBOL

 This warning symbol is used in these mounting instructions to warn of deadly dangers, injuries or other hazards. The words **DANGER**, **WARNING** or **CAUTION** are used as part of this warning symbol to convey important safety messages and information relating to the installation and use of this product. These words, together with the safety warning symbol, mean:

 **DANGER:** Indicates a hazardous situation which, if not avoided, will result in death or serious injury!

 **WARNING:** Indicates a hazardous situation which, if not avoided, may result in death or serious injury!

 **CAUTION:** Indicates a hazardous situation which, if not avoided, may result in minor or moderate injury!

 **NOTE:** Important information, but not relating to a risk of death or injury (property damage only)!

GENERAL INFORMATION


 **WARNING:** Assembly and/or maintenance of this product requires advanced technical skill, appropriate tools, and a good understanding of tool usage and torque specifications. For your own safety, SW-MOTECH recommends having the assembly and/or maintenance carried out by a qualified and certified motorcycle workshop.


 **WARNING:** If you do choose to assemble this product yourself, carefully and fully read the mounting instructions before assembly and use, and follow all instructions to avoid serious injury or death. Also observe all relevant information in the vehicle manual when mounting or using the product. IF YOU DO NOT UNDERSTAND ANY PART OF THESE MOUNTING INSTRUCTIONS OR NEED AN EXPLANATION AS TO A SPECIFIC INSTRUCTION, DO NOT ATTEMPT TO INSTALL THIS PRODUCT WITHOUT CONSULTING SW-MOTECH FOR ASSISTANCE!

PREPARATION: Read the mounting instructions carefully and make sure that all parts on the parts list are available.

 **CAUTION:** Ensure that your vehicle is standing securely. Switch off the engine and remove the ignition key. Allow the engine/exhaust to cool down if necessary. Disconnect the battery when working on the electrical system. Only use proper tools and always wear safety goggles and gloves during assembly and maintenance. Have a second person help you with assembly and maintenance.

ASSEMBLY: All parts and connections removed from the vehicle must be reinstalled according to the vehicle manufacturer's specifications or replaced with parts and hardware supplied by SW-MOTECH.

 **WARNING:** Secure all threads with a medium-strength liquid threadlocker, unless otherwise specified.

 **DANGER:** Tightening torques not defined by SW-MOTECH must be obtained from the vehicle manufacturer or a certified motorbike workshop.

FUNCTIONAL CHECK: After mounting the product, ensure that no moving parts are obstructed and that the function of the vehicle is not impeded. Cables and hoses must not rub against each other and/or be hindered in any way.

 **WARNING:** Carry out a comprehensive functionality check before you start to drive. Check the tightening torque of all connections and the tight fit of the product after the first 50 km and then at regular intervals. Mounted accessories can change the handling and stability of the vehicle.



SW-MOTECH GmbH & Co. KG
Ernteweg 7-10
35282 Rauschenberg
Germany



 info@sw-motech.com
 www.sw-motech.com

LEGEND OVERVIEW - READ AND KEEP MOUNTING INSTRUCTIONS!



Take note of the symbols and what they mean in the ASSEMBLY section. If the term OEM appears in the ASSEMBLY section, the vehicle manufacturer's specifications must be observed and applied.



If you have any questions, please don't hesitate to contact our Customer Service team or our distributors. You can find our telephone number and a list of our distributors in our online shop:

www.sw-motech.com



Do not use thread lock: Indicates that no liquid thread lock should be used at this point.



Tighten/note the tightening torque information:

Indicates the tightening torque of a part specified by SW-MOTECH or the vehicle manufacturer (OEM).

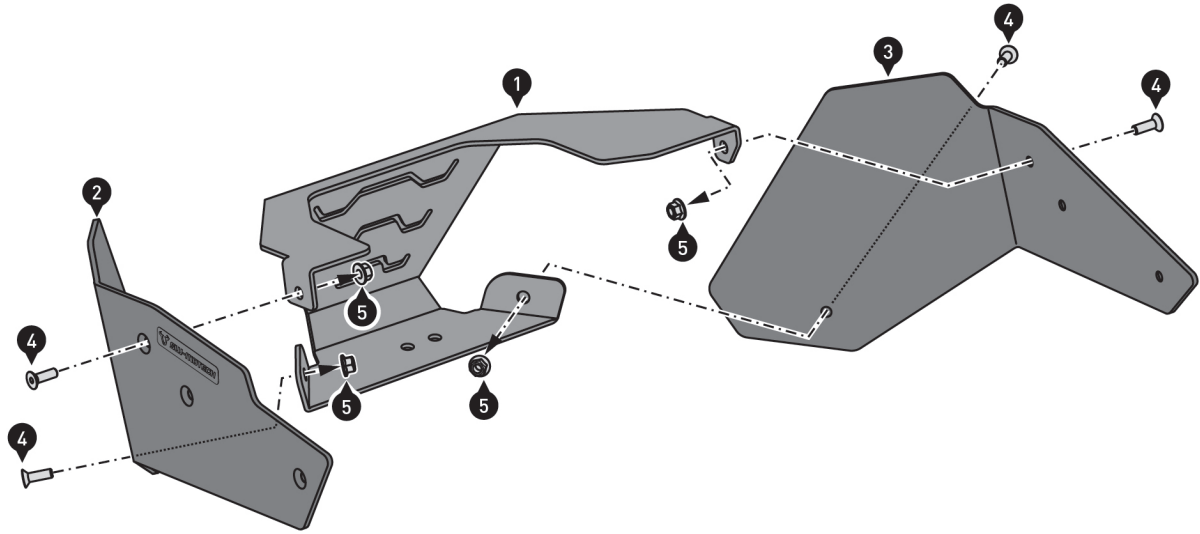


Use thread locker: Indicates that a thread must be coated with liquid thread locker. H (HIGH): high strength; M (MEDIUM): medium strength; L (LOW): low strength.

PARTS LIST - READ AND KEEP MOUNTING INSTRUCTIONS!

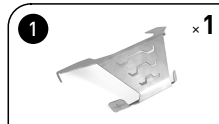
<p>1</p> <p>1</p>  <p>MSS.01.971.001.01</p> <p> 1/1</p>	<p>2</p>  <p>MSS.01.971.902.01.02</p> <p> 1/1</p>	<p>3</p>  <p>MSS.01.971.901.01.02</p> <p> 1/1</p>	<p>4</p>  <p>M5 x 16; DIN7991 SC.ST.05.016.02.7991.088</p> <p> 4/10</p>	<p>5</p>  <p>M6; DIN 6927 MU.ST.05.02.6927.08</p> <p> 4/4</p>	
<p>2</p> <p>6</p>  <p>MSS.01.971.004.11</p> <p> 1/1</p>	<p>7</p>  <p>M10 x 90; DIN 912 SC.ST.10.090.01.912.088</p> <p> 1/1</p>	<p>8</p>  <p>ø 10,5; DIN 125 US.ST.105.01.125</p> <p> 1/1</p>	<p>9</p>  <p>Ø 20 / ø 10,5 / h 12 DB.00.200.105.012.01</p> <p> 1/1</p>	<p>10</p>  <p>Ø 25 / Ø 10,5 / h 4 DB.ST.0250.0105.0040.01</p> <p> 1/1</p>	<p>11</p>  <p>M10; DIN 6927 MU.ST.10.01.6927.08</p> <p> 1/1</p>
<p>3</p> <p>12</p>  <p>MSS.01.971.005.11</p> <p> 1/1</p>	<p>13</p>  <p>MSS.01.971.006.11</p> <p> 1/1</p>	<p>14</p>  <p>M6 x 30; DIN 912 SC.ST.06.030.01.912.088</p> <p> 4/4</p>	<p>15</p>  <p>ø 6,4; DIN 125 US.ST.064.01.125</p> <p> 4/4</p>		
<p>4</p> <p>16</p>  <p>M5 x 16; DIN7991 SC.ST.05.016.02.7991.088</p> <p> 4/10</p>					
<p>5</p> <p>17</p>  <p>MSS.01.971.007.11</p> <p> 1/1</p>	<p>18</p>  <p>M5 x 16; DIN7991 SC.ST.05.016.02.7991.088</p> <p> 2/10</p>				

1

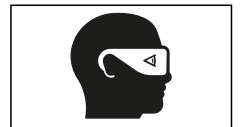


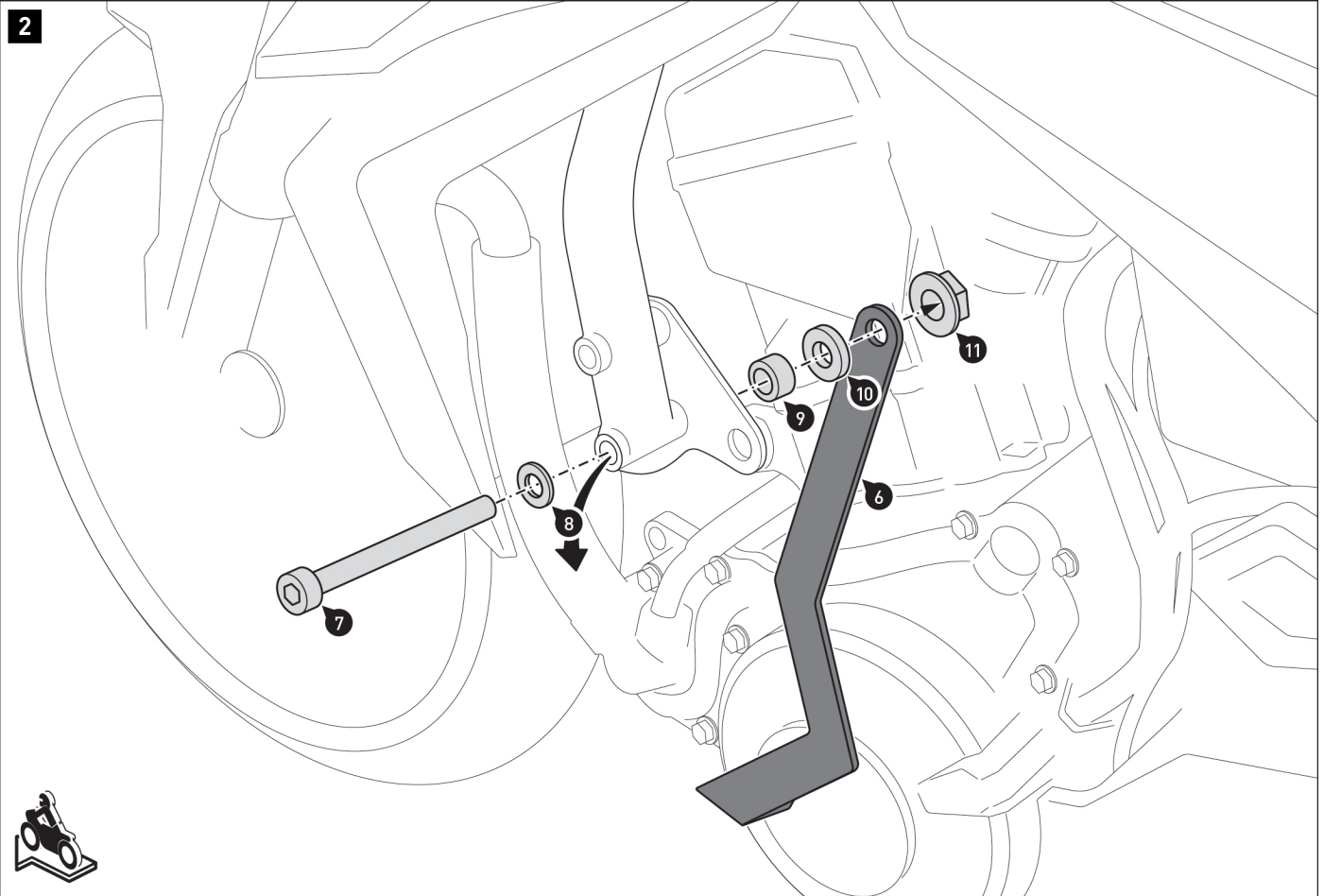
⚠ WARNING: Always wear eye and hand protection!
⚠ WARNING: Always use the proper tools!

Screw the indicated parts together.
 Do not tighten the screws yet.



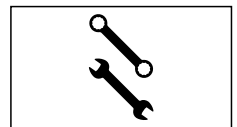
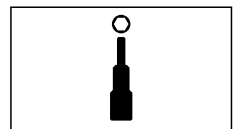
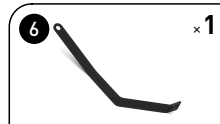
5 Nm

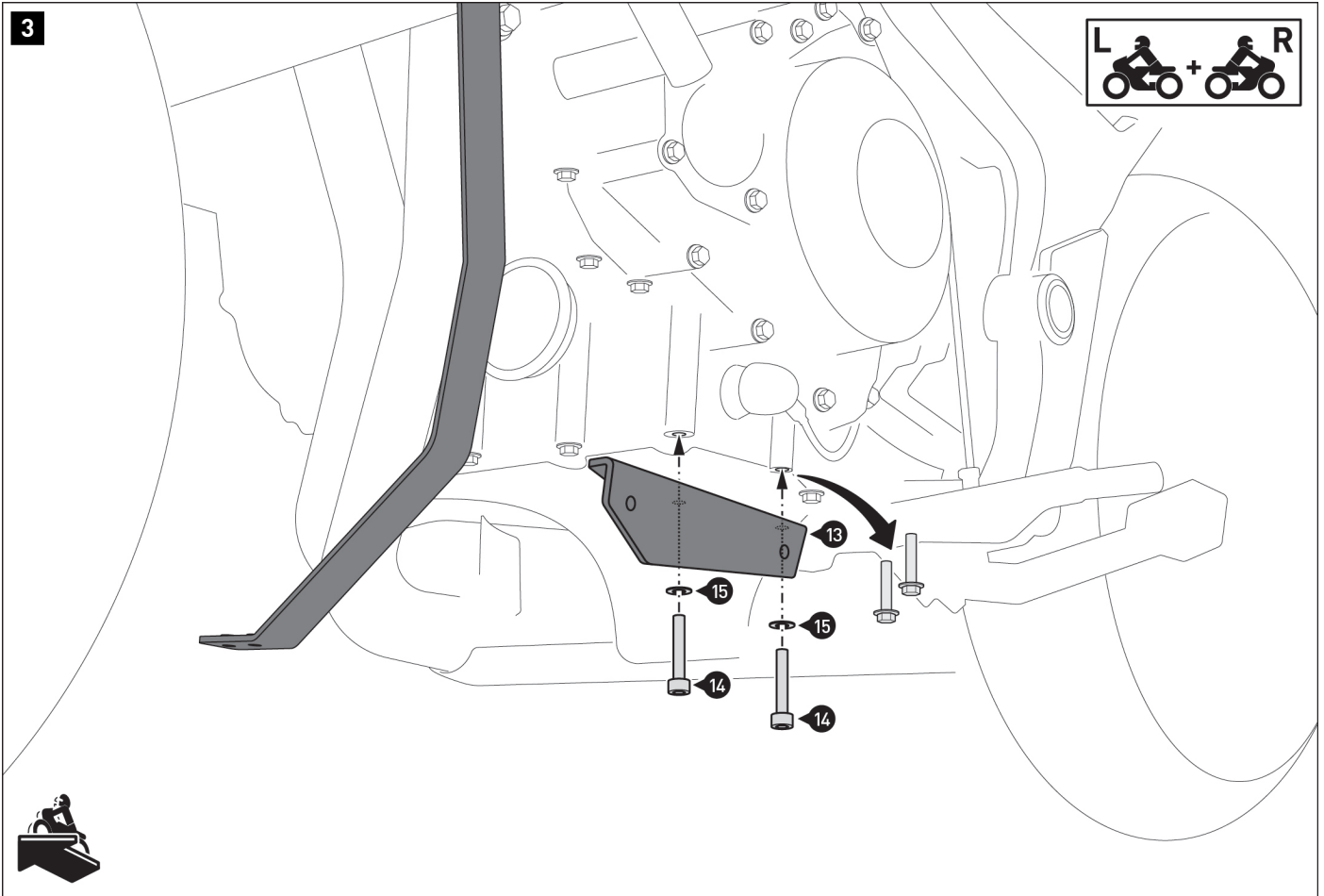




⚠ NOTE: If installed at the same time as the SW-MOTECH crash bar, the spacer (10) is not required.
Instead of the spacer, use the piece from the crash bar.

Screw the mounting bracket (6) to the vehicle.
Do not tighten the screw yet.

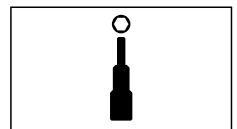
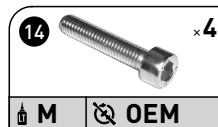


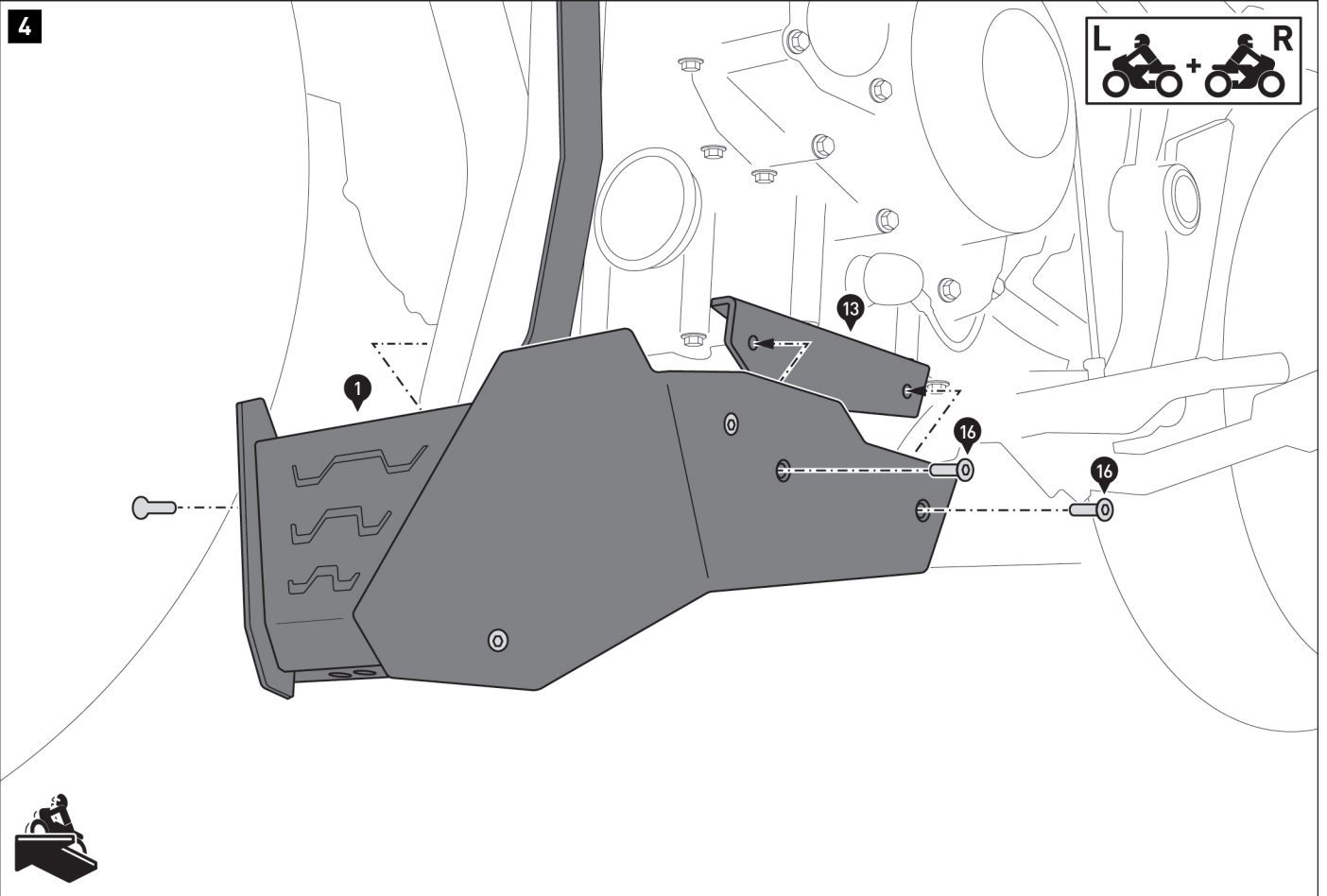


Remove the screws from the attachment points indicated on both sides of the vehicle.

Screw mounting brackets (12) and (13) to the vehicle.

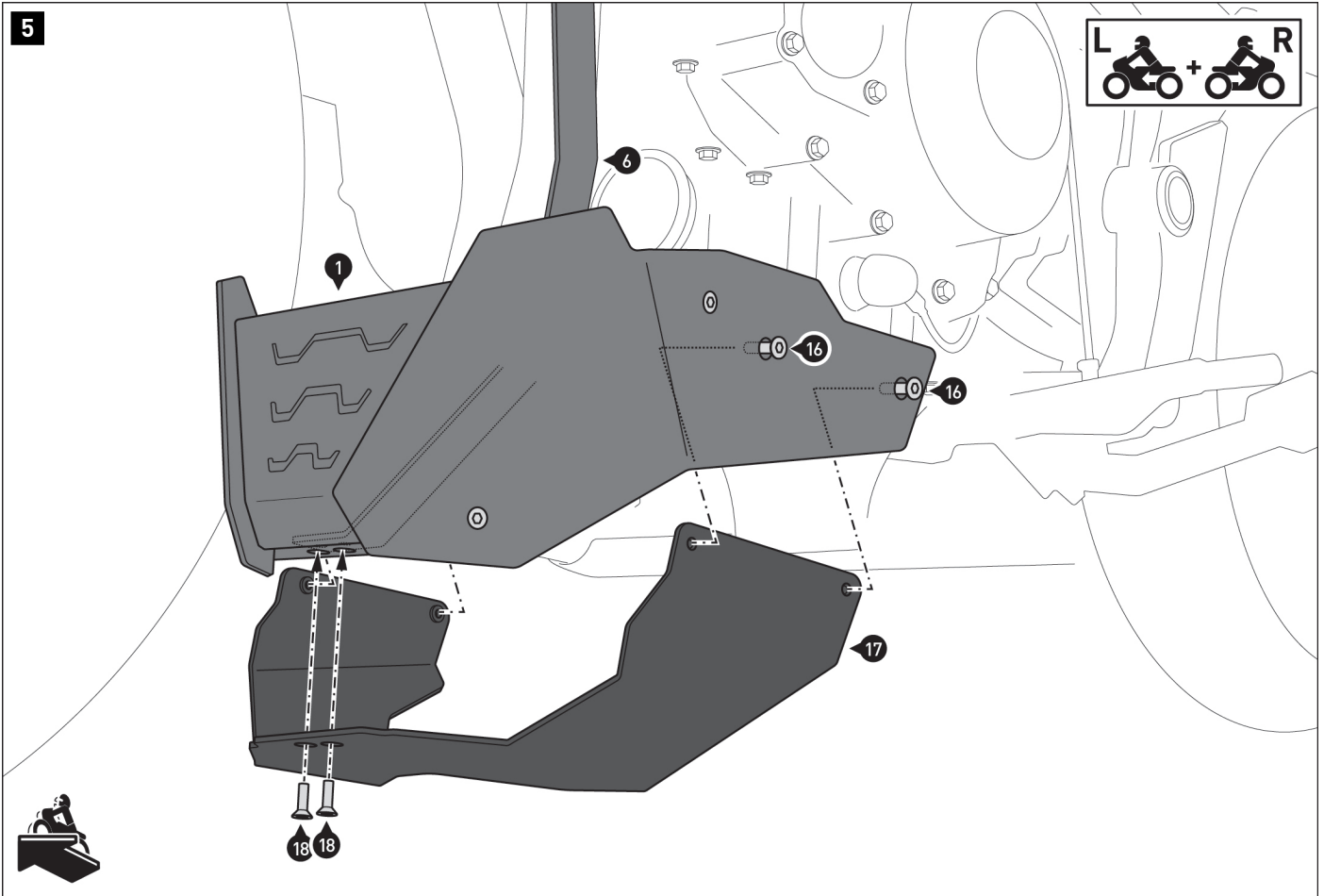
▲ WARNING: Use a liquid threadlocker!
Do not tighten the screws (14) yet.





Use the screws (16) to attach the engine guard (1) to the mounting brackets (12) and (13) on both sides.





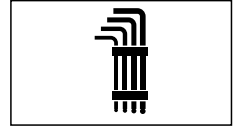
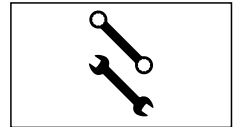
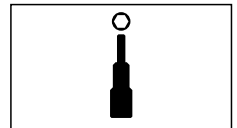
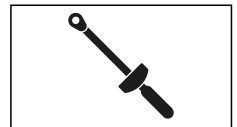
Screw mounting bracket (17) to mounting bracket (6) and to the inside of the engine guard (1).

▲ WARNING: Use a liquid threadlocker!

When all components are loosely attached, tighten all screws as specified in the mounting instructions.



M 5 Nm



PRODUCT-SPECIFIC NOTES

⚠ WARNING: Ground clearance may be restricted by this product! Particular caution is required when cornering at extreme inclination and/or driving on uneven ground (e.g. curbs and bumps)!

⚠ WARNING: Motorcycle exhaust pipes often have large geometric tolerances. Make sure that there is sufficient distance between all parts in the affected areas!

⚠ NOTE: *Please observe the country-specific regulations for the registration/operation of your vehicle or any applicable TÜV regulations. After installation, parts subject to registration should be entered in the vehicle documents by your test center.*